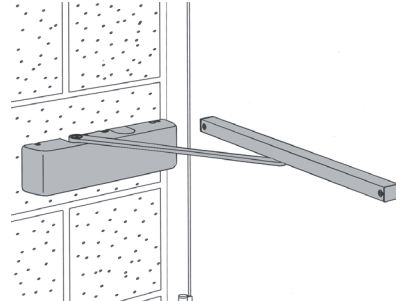


LCN®

4000T Series

Door controls



Fire Rated: Tested on fire door assemblies in accordance with Australian Standards, refer fire door manufacturer for specific approval details

The 4000T Series is a heavy duty wall mounted closer designed specifically to reliably control fire and smoke barrier doors with a maximum swing of 90°. Designed to be used in conjunction with the LCN SEM Series wall magnets.

Features

- Non-handed closer mounts in a wall pocket, hinge side, on either right or left hand door
- Closer cylinder constructed of high strength cast iron for increased durability
- Tested to 1,500,000 cycles
- Sized cylinders for interior doors to 1219mm
- Independent adjustment valves for adjusting backcheck, closing and latching speeds
- Maximum door opening -90°
- Used with SEM Series wall magnet, holds door open at 90°. When wall magnet releases, the closer quietly and firmly closes door
- Closers installed according to LCN installation instructions require minimal periodic maintenance or adjustments
- The 30 year warranty provides specifiers and users with assured quality and performance

Specification guide

Series	Strength	Function	Finish
Strength 3 LCN4003T	Closer strength3	Regular closer REG	Aluminium ALUM
Strength 4 LCN4004T	Closer strength4		

- Series
Select the desired series e.g. LCN 4000T Series LCN4003T
- Strength
Select the required closer strength LCN4003T
- Function
Select the desired function e.g. Regular closer LCN4003T-REG
- Finish
Select the desired finish e.g. Aluminium LCN4003T-REG-ALUM

Selection chart

Select closer based on width of door

Strength	Exterior door	Interior door
3	NA	868mm - 1067mm
4	NA	1067mm - 1219mm

Specifications

Door type	Timber or metal
Door size	Size 3 - Internal door 868mm-1067mm Size 4 - Internal door 1067mm-1219mm
Applications	Wall mount only
Adjustment controls	Closing speed Latching speed Backcheck
Strength	Size 3 - fixed strength Size 4 - fixed strength
Finish	Aluminium
Warranty	30 year mechanical

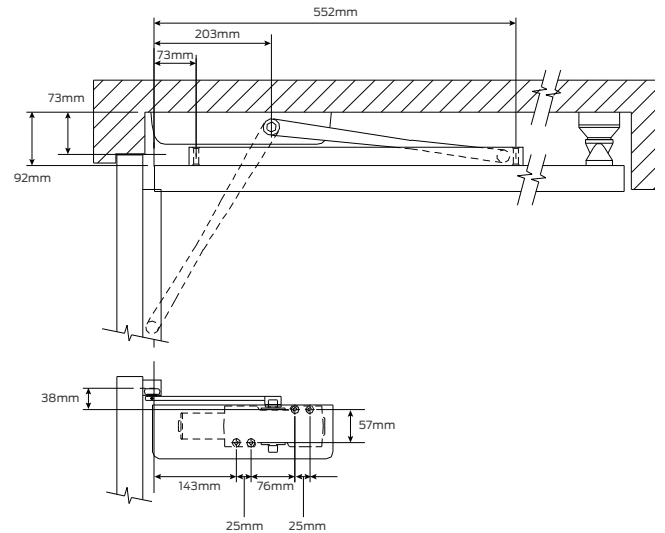
Regulating controls

Closing speed	Adjustment to increase or decrease the speed at which the door closes. This allows the appropriate momentum to close the door in a safe and secure manner. Closing speed adjustment operates from the maximum opening to 15°
Latching speed	The latching speed allows the door to close quietly and firmly. It can be adjusted to increase or decrease the speed at which the door finally closes. This assists the final stage of the closing cycle to help overcome stubborn latchbolts or air pressure conditions. The latching speed adjustment operates from 15° to closing
Backcheck	Adjustable hydraulic backcheck provides a cushioning effect when the door is forcibly thrown open to prevent damage to the closer, door and frame. The backcheck adjustment allows the level of resistance in the latter stage of opening to be set at the level required. Backcheck is effective from 75°. Backcheck is a requirement for all fire rated closers

Mounting details

Wall pocket mounting

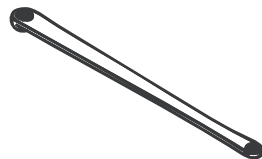
Cylinder mounts on wall. Track mounts on hinge side of door. Templating allows 90° only. Hold open point 90° with magnet



4000T Series accessories

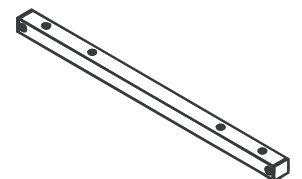
Standard arm 4000T-3077

Standard, non-handed arm



Regular track 4000T-3038

Non-hold open, non-handed track.
Will not accept hold open clip or bumper assembly



Track roller 4000T-3034

Quiet, low friction roller assembly
Shoulder Dimension X = 3mm





ALLEGION™

PIONEERING SAFETY™

We are
Allegion

Briton ■ LCN ■ LEGGE ■ SCHLAGE ■ VON DUPRIN